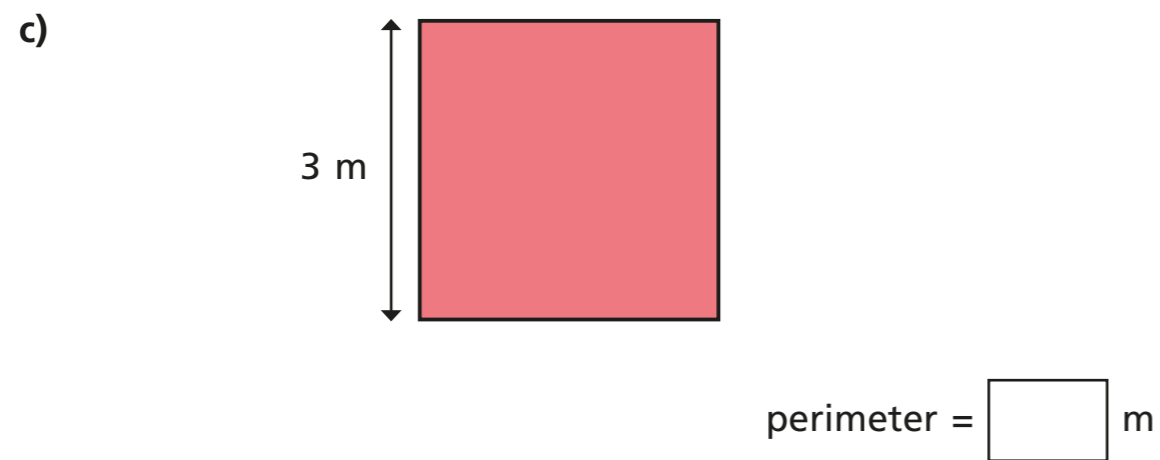
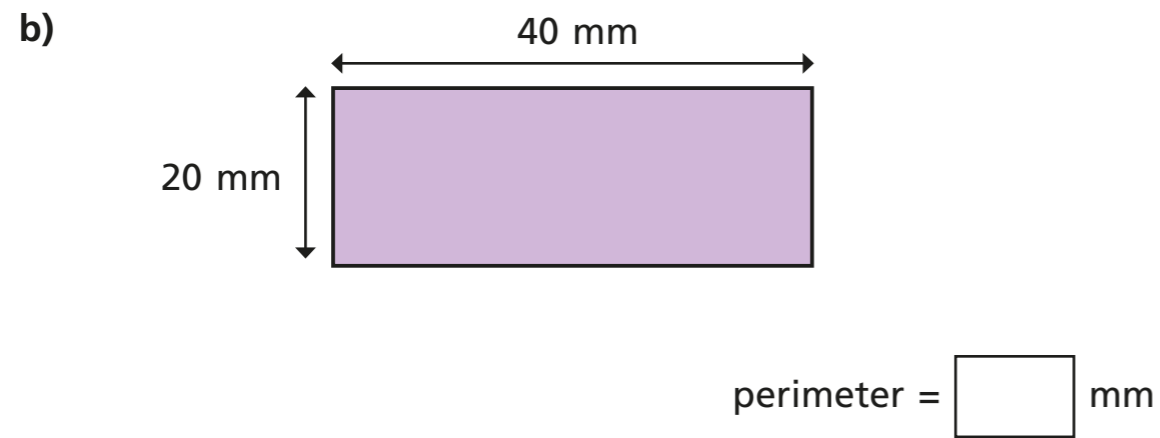
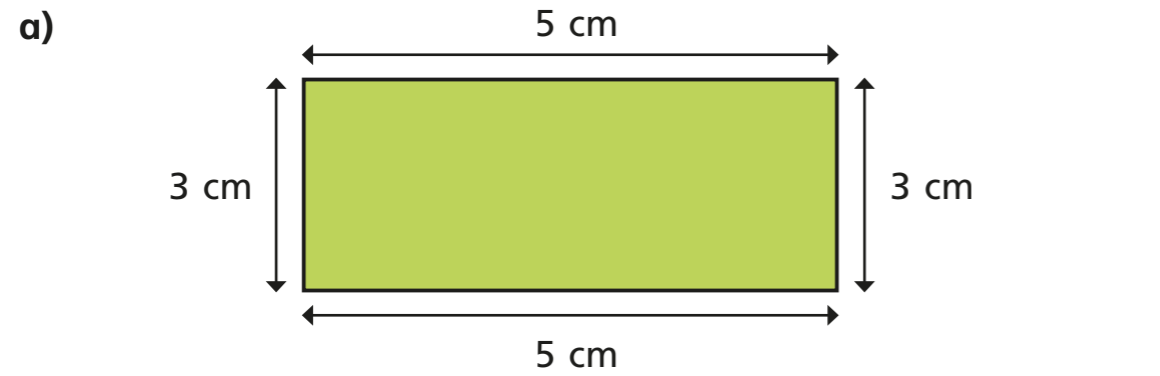


# Calculate perimeter

1 Work out the perimeter of each shape.



2 Rosie and Eva work out the perimeter of the shape below.

Rosie:  $6 + 4 = 10$ , so the perimeter is 10 cm.

Eva: The perimeter is 20 cm.

Who is correct? \_\_\_\_\_

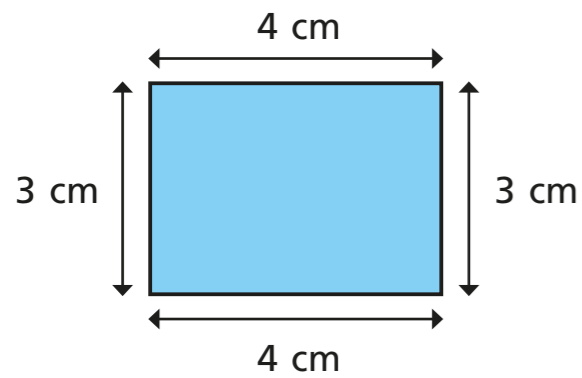
How do you know?

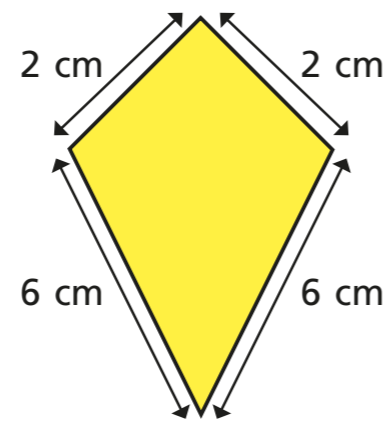
\_\_\_\_\_

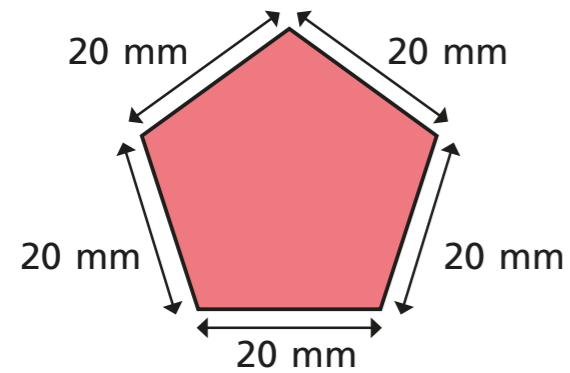
\_\_\_\_\_

3 Tick the shapes with a perimeter of 16 cm.

4 Which shape has the longest perimeter? Tick your answer.

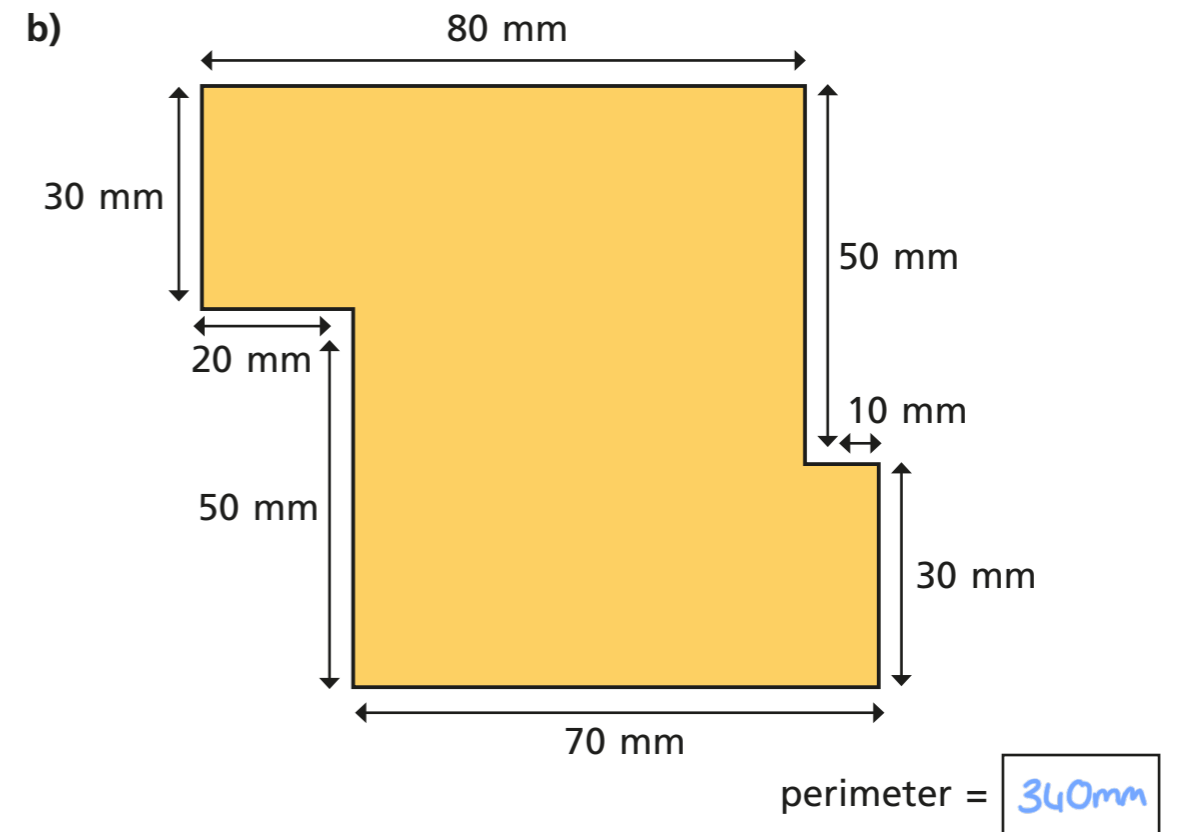
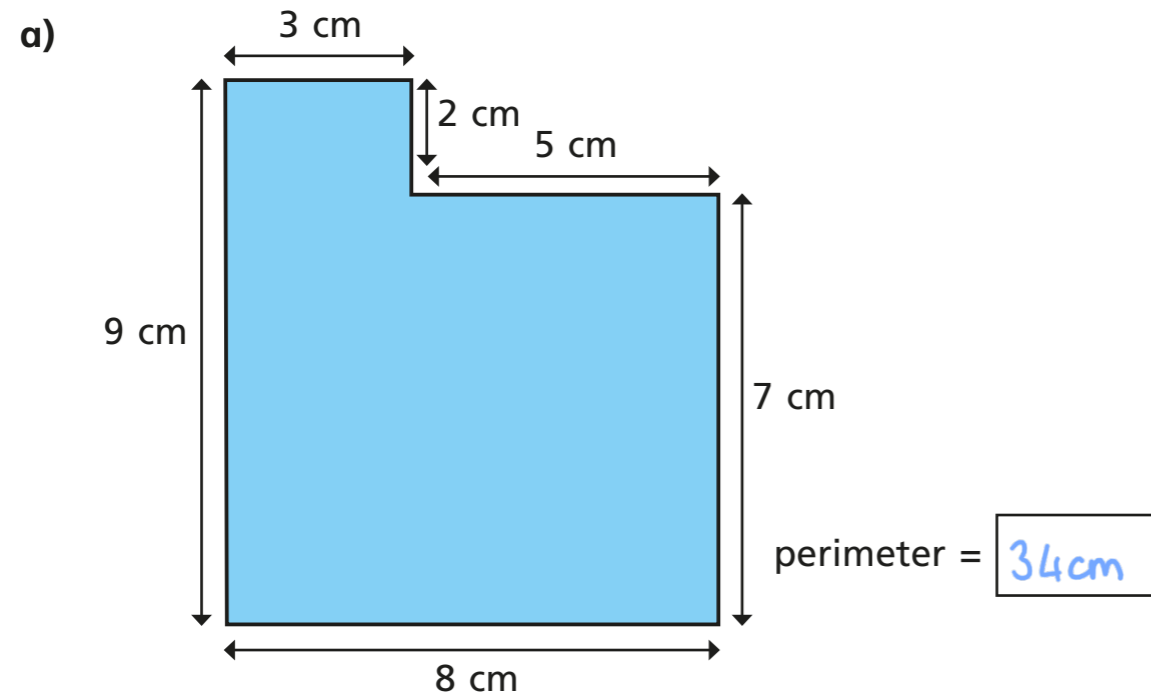






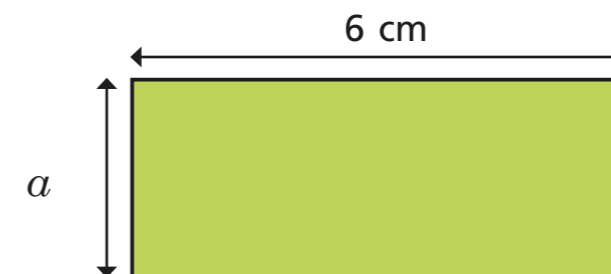

Show all your workings.

5 Work out the perimeter of these shapes.



What do you notice?

6 This rectangle has a perimeter of 18 cm.  
Work out the length of side  $a$ .



perimeter = 18 cm  
side  $a$  =